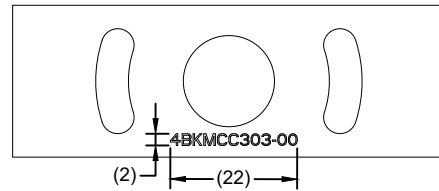
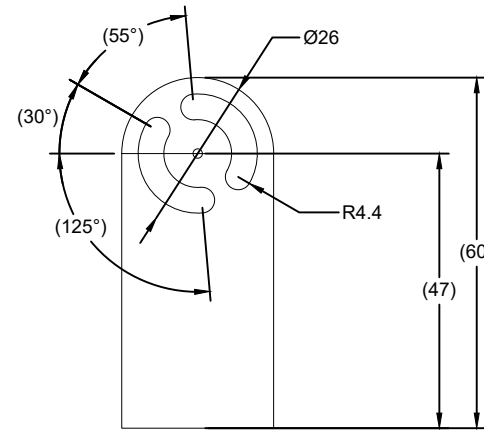
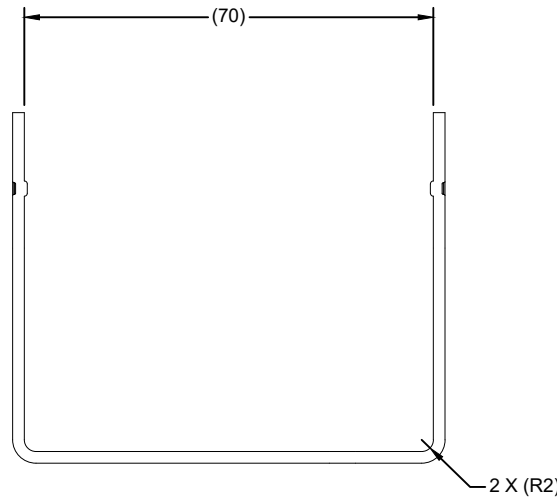
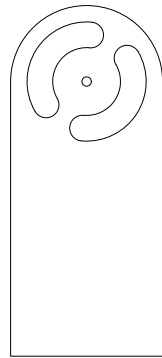
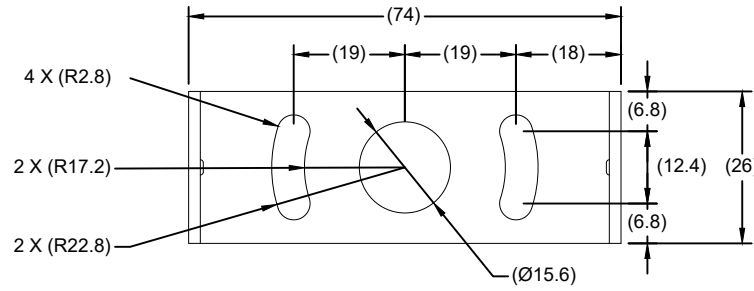
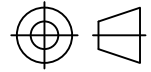


Revision Notes.				
R1 -				
APA:	Drawn:	Checked:	Approved:	Date:



- NOTES:**
1. DIMENSIONS IN MM
 2. FINISH: BLACK
 3. MATERIAL: STAINLESS STEEL 2.0T

PROPRIETARY NOTICE
 THIS DESIGN AND TECHNICAL INFORMATION APPEARING ON THIS DRAWING IS THE PROPERTY OF BRIGADE ELECTRONICS, AND IS DISCLOSED IN CONFIDENCE. IT IS NOT TO BE COPIED, REPRODUCED, REVEALED TO OR EXPROPRIATED BY OTHERS, EITHER IN WHOLE OR IN PART WITHOUT THE EXPRESS WRITTEN CONSENT OF BRIGADE ELECTRONICS.

Sheet 1 of 1	Assembly Pl Approval T. CHOI	Approved by S. LAWAL	Checked by E. MATHEW	Drawn by J. YU
Customer Approval N/A	Angle of Projection  Third Angle	Units mm	Scale N/A	Released 28/11/25
		Status RELEASED	VBV-810XC-BKT	
		Part No 8432	BE-005114-00-25	

Brigade
 brigade-electronics.com